

Receiver
From

 Society
 Reference
 Address
 Phone
 Fax
 E-mail

Item n° :

60180274

Model :

2 NKV 15/4 T IE3

Pump data

 MEI \geq 0,60

Pressure rating : 16 bar (1600 kPa)

Min. fluid temperature : 0 °C

Max. fluid temperature : 80 °C

Max. Ambient temperature : 40 °C

Requested data

 Flow : 12.00 m³/h

Head : 52.00 m

Fluid : Water

Fluid Temperature : 20 °C

 Density : 0.99819 kg/dm³

 Kinematic viscosity : 1.0004 mm²/s

Vapor pressure : 2.20 kPa

Hydraulic data (duty point)

 Flow : 12.073 m³/h

Head : 52.635 m

Motor data main pump:

Brand: .

Nominal power P2 : 4 kW

Rated speed : 2920 1/min

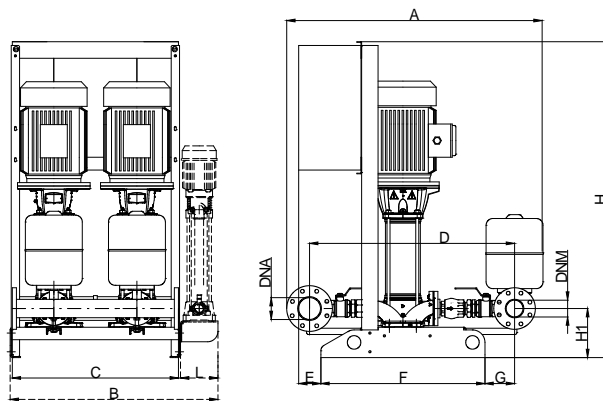
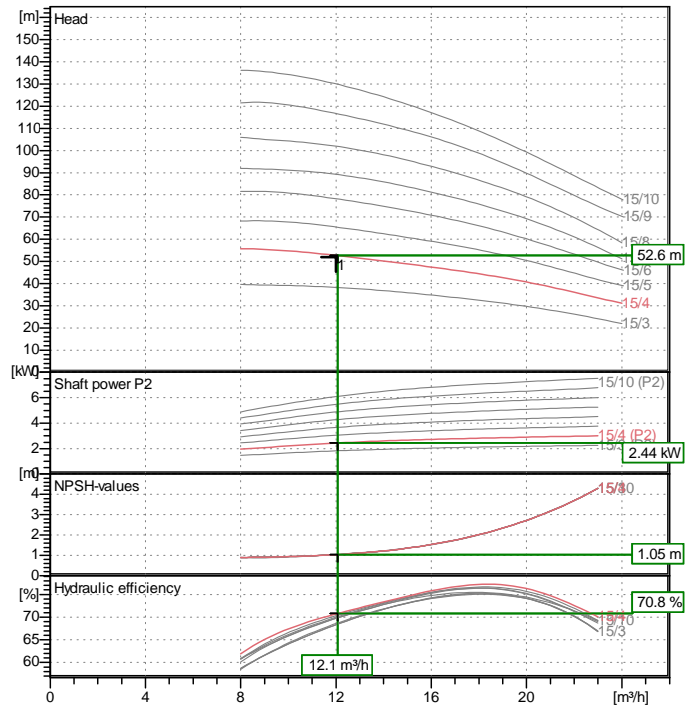
Rated voltage : 3~ 400 V 50 Hz

Nominal current : 8.2 A

Degree of protection : IP 55

Dimensions in mm

A	1265	H1	236
B	1000	L	180
C	800		
D	975		
DNA	DN 100		
DNM	DN 80		
E	110		
F	790		
G	145		
H	1525		

Curve tolerance according to ISO 9906


DESCRIZIONE	A	B	C	D	E	F	G	H	H1	L	DNA	DNM
2NKV 10PP	1120	1000	800	860	110	790	80	1525	226	180	Z 12	Z 12
2NKV 1520PP	1265	1000	800	975	110	790	145	1525	236	180	DN100	DN80

Weight : On demand kg

Pump connection

Suction side : DN 100 / 16 bar (1600 kPa)

Discharge side : DN 80 / 16 bar (1600 kPa)



PERFORMANCE CURVES

2024-02-29

Page 2 / 3

DAB PUMPS S.p.A.
Via Marco Polo, 14 - 35035 Mestrino (PD), Italy
Tel. +39 049 5125000 - Fax +39 049 5125950
www.dabpumps.com

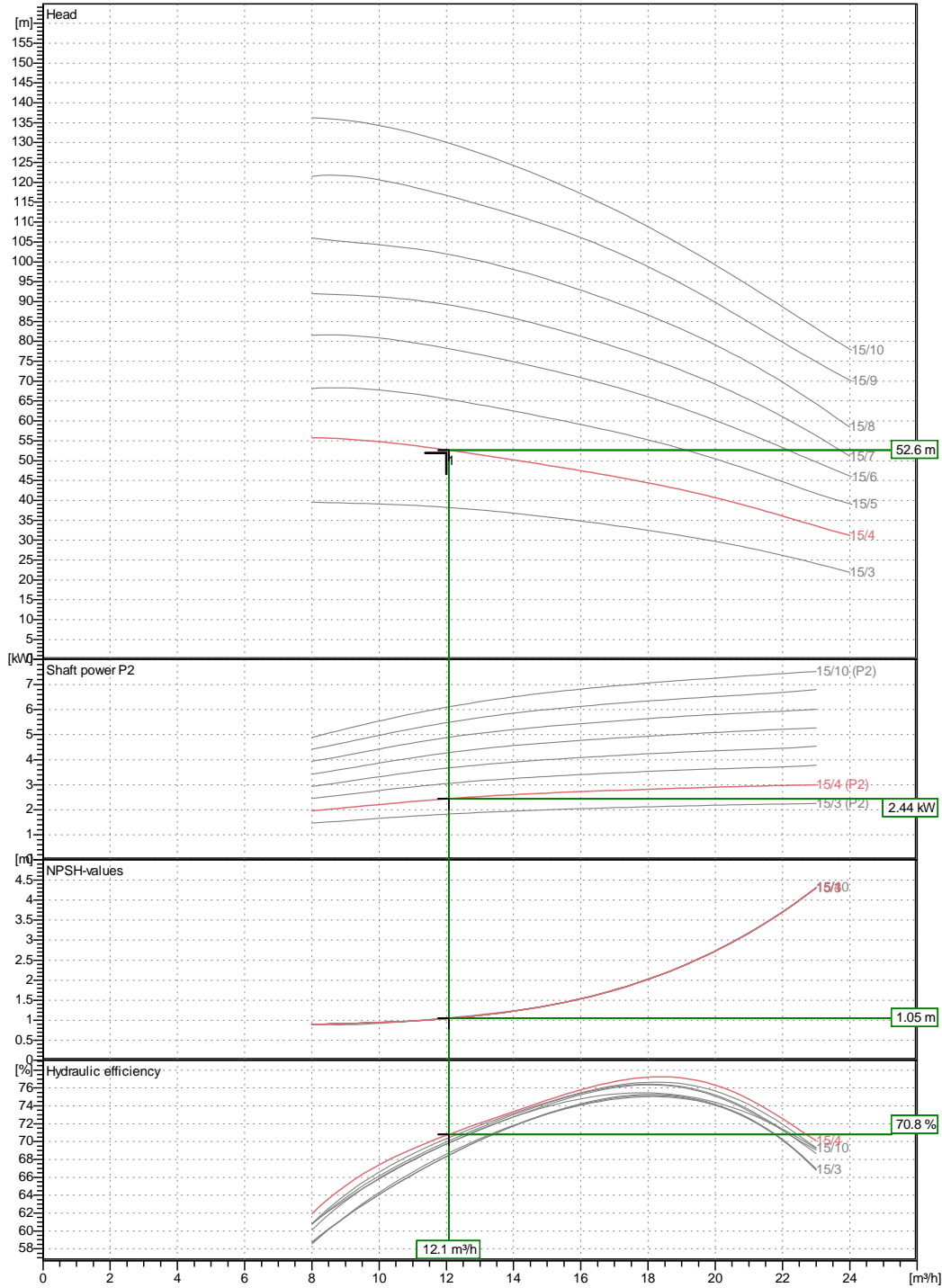
Receiver

From

Society
Reference
Address
Phone
Fax
E-mail

2 NKV 15/4 T IE3

Curve tolerance according to ISO 9906



Hydraulic data (duty point)

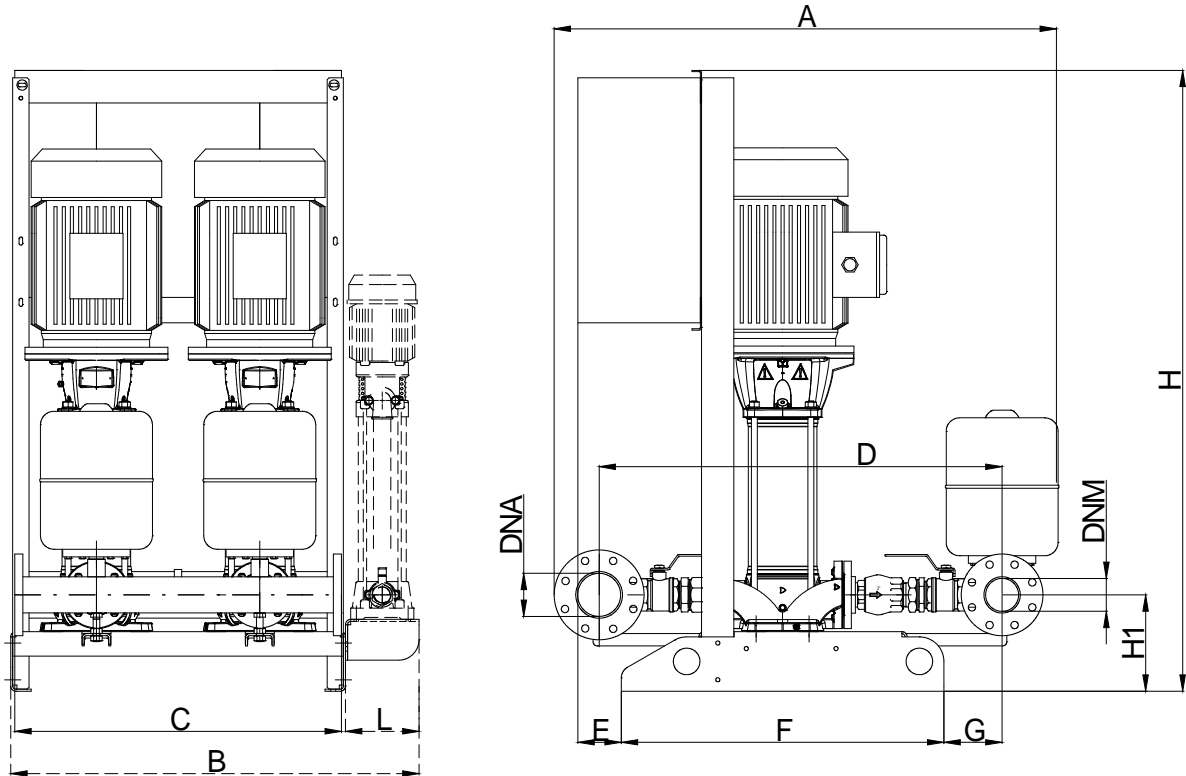
Suction side : DN 100 16 bar (1600 kPa)	Discharge side : DN 80 16 bar (1600 kPa)	Flow : 12 m³/h	Head : 52 m	Rated speed : 2920 1/min
Project	Project ID	Created by	Created on 2024-02-29	

Receiver

From

Society
 Reference
 Address
 Phone
 Fax
 E-mail

2 NKV 15/4 T IE3



DESCRIZIONE	A	B	C	D	E	F	G	H	H1	L	DNA	DNM
2NKV10+PP	1120	1000	800	880	110	790	80	1525	226	180	2"1/2	2"1/2
2NKV15-20+PP	1265	1000	800	975	110	790	145	1525	236	180	DN 100	DN 80

Dimensions in mm

1	A	1265	H1	236								
2	B	1000	L	180								
3	C	800										
4	D	975										
5	DNA	DN 100										
6	DNM	DN 80										
7	E	110										
8	F	790										
9	G	145										
10	H	1525										

Pump connection

Suction
 DN 100
 16 bar (1600 kPa)

Discharge
 DN 80
 16 bar (1600 kPa)

Project

Project ID

Created by

Created on

2024-02-29